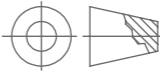

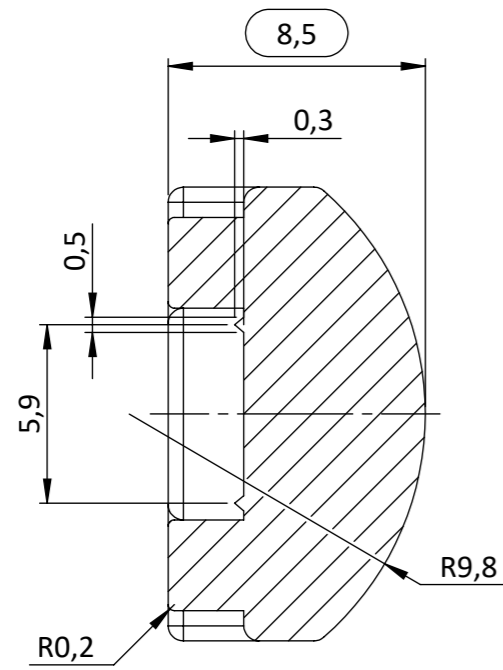
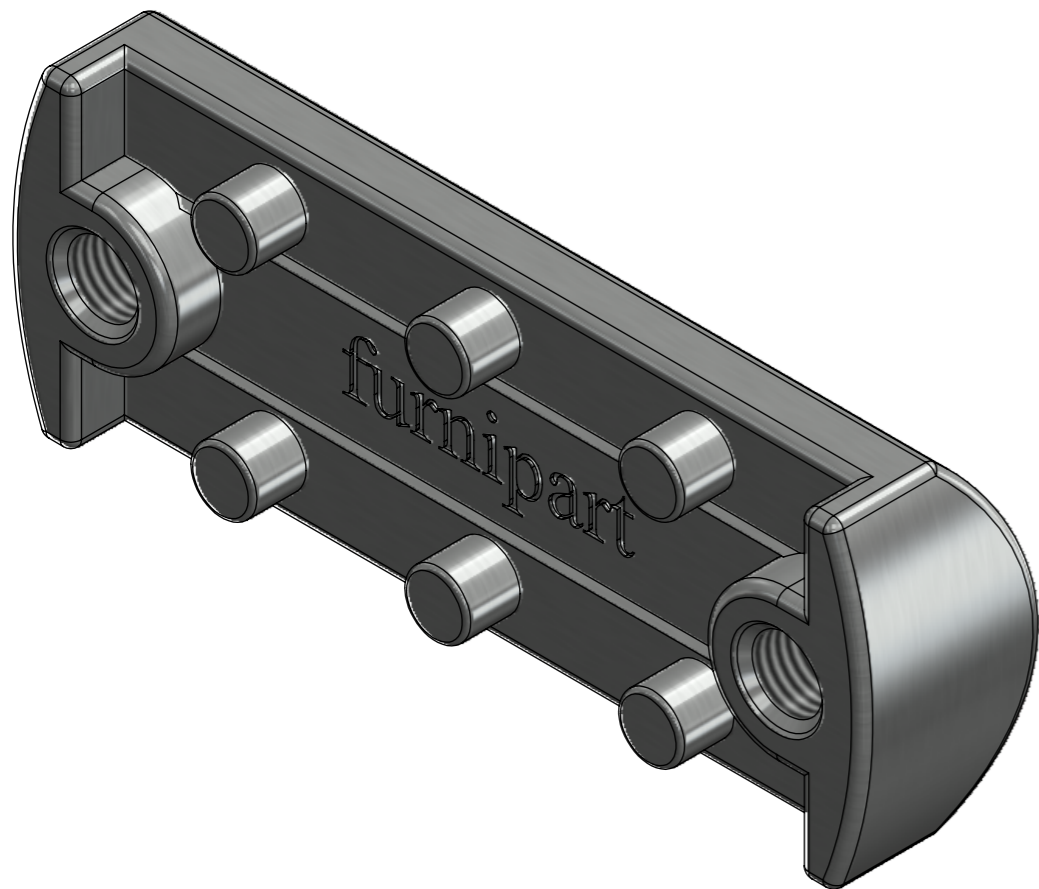
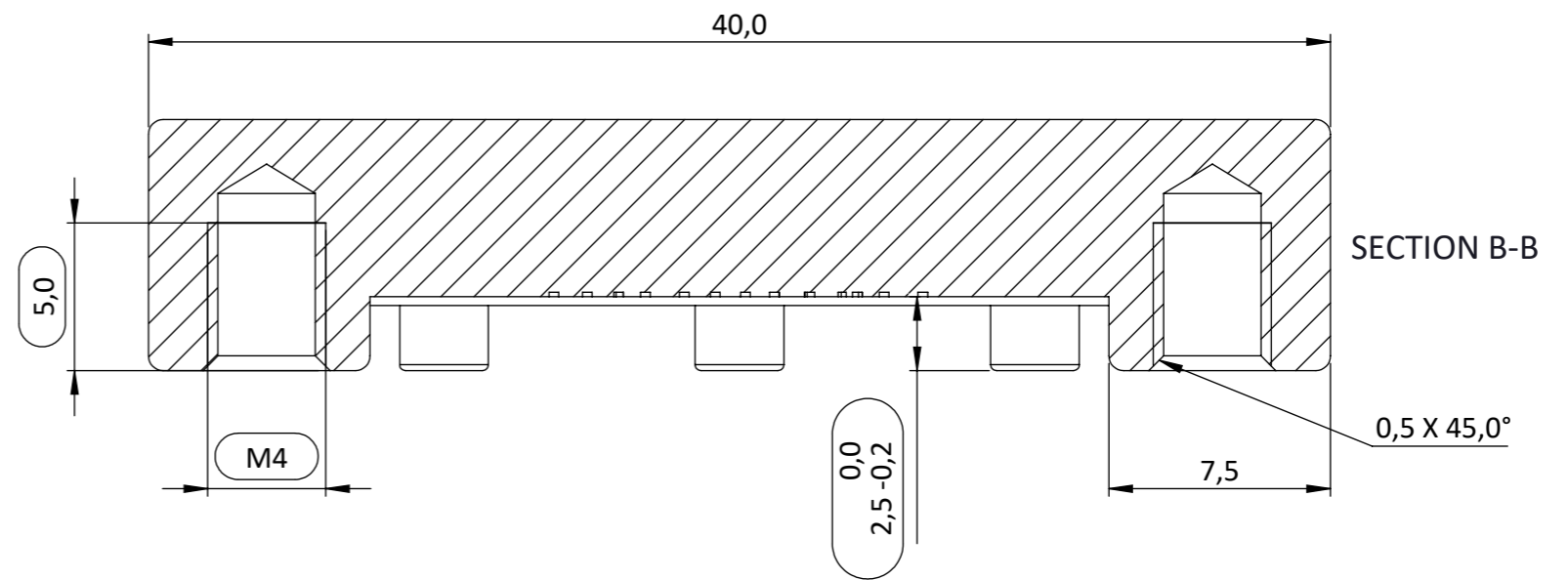
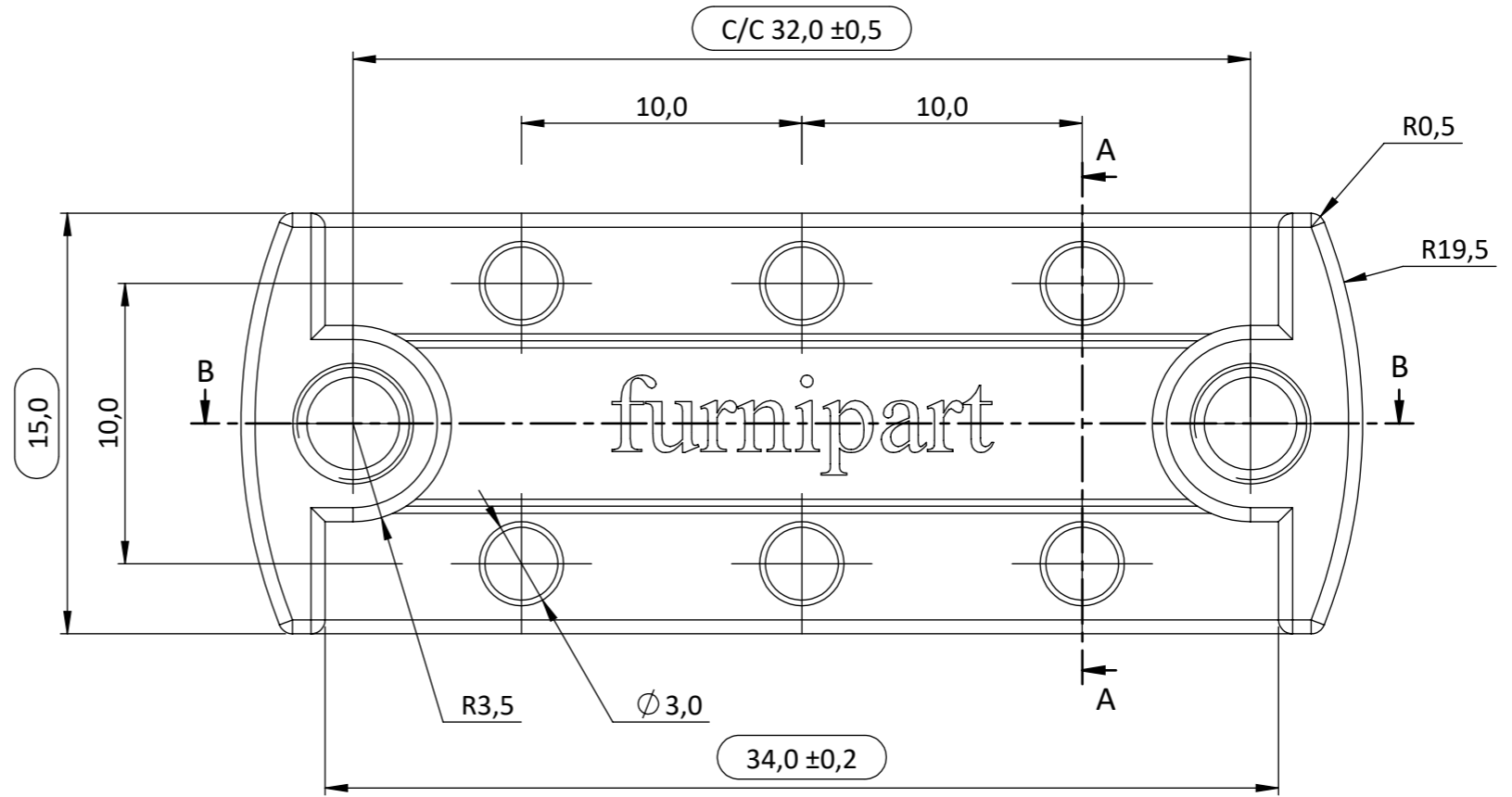


Rev.:	Date:	Name:	Description:
--	---	---	---
--	---	---	---
--	---	---	---
--	---	---	---

ITEM NO.	PART NUMBER	Part name:	QTY.														
1	Z543360032	DRUM ZINK	1														
2	102490093	DRUM LEATHER	1														
Part name: DRUM		Projection: 	Sheet format: A3 Scale: 3:1														
Customer: XXX		Drawn by: IBL	Tolerance unless otherwise specified DS/ISO 2768-1M Linear dimensions: <table border="1"> <tr> <td>0-3</td> <td>3-6</td> <td>6-30</td> <td>30-120</td> <td>120-400</td> <td>400-1000</td> <td>1000-2000</td> </tr> <tr> <td>±0,1</td> <td>±0,1</td> <td>±0,2</td> <td>±0,3</td> <td>±0,5</td> <td>±0,8</td> <td>±1,2</td> </tr> </table>	0-3	3-6	6-30	30-120	120-400	400-1000	1000-2000	±0,1	±0,1	±0,2	±0,3	±0,5	±0,8	±1,2
0-3	3-6	6-30	30-120	120-400	400-1000	1000-2000											
±0,1	±0,1	±0,2	±0,3	±0,5	±0,8	±1,2											
Part no.: 543360XXX		Sheet 1 of 3	Angle: ±0,5° Radius: ±5%														
Material: Zink / Leather		Weight: 29.17	 Delta 2 Phone: +45 87 64 35 00 DK-8382 Hinnerup E-mail: fp@furnipart.com														
COPYRIGHT: THIS DRAWING MAY NOT BE COPIED OR REPRODUCED IN ANY WAY WITHOUT DIRECT PERMISSION FROM FURNIPART A/S																	

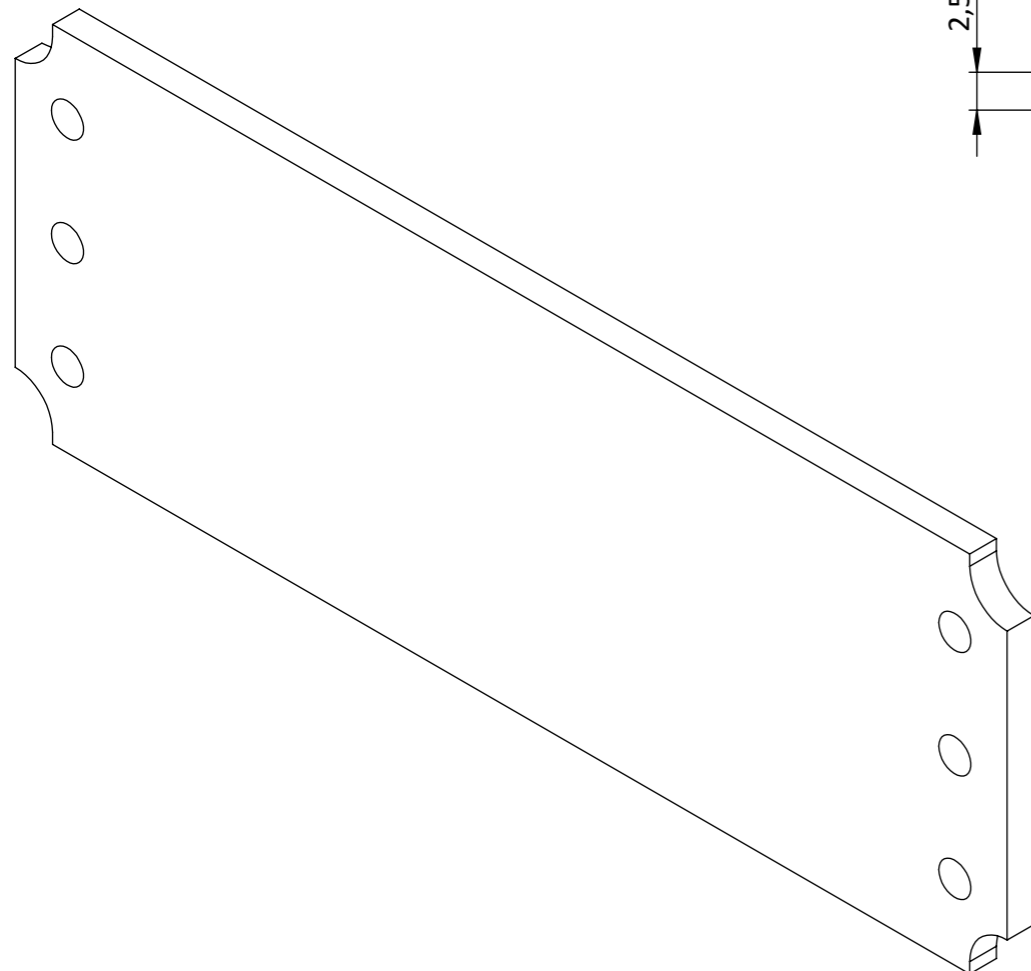
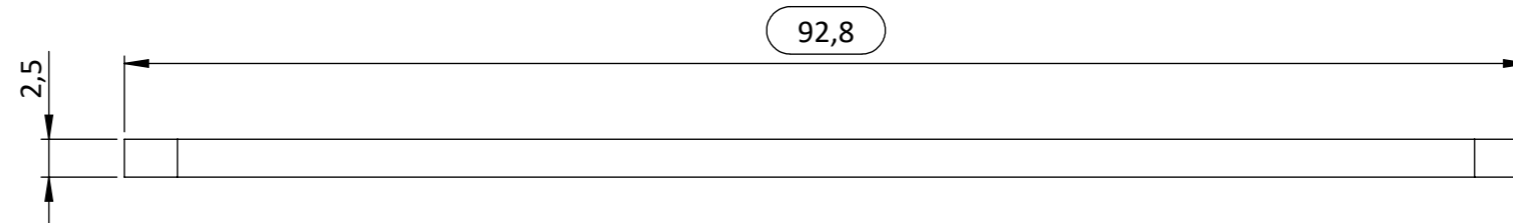
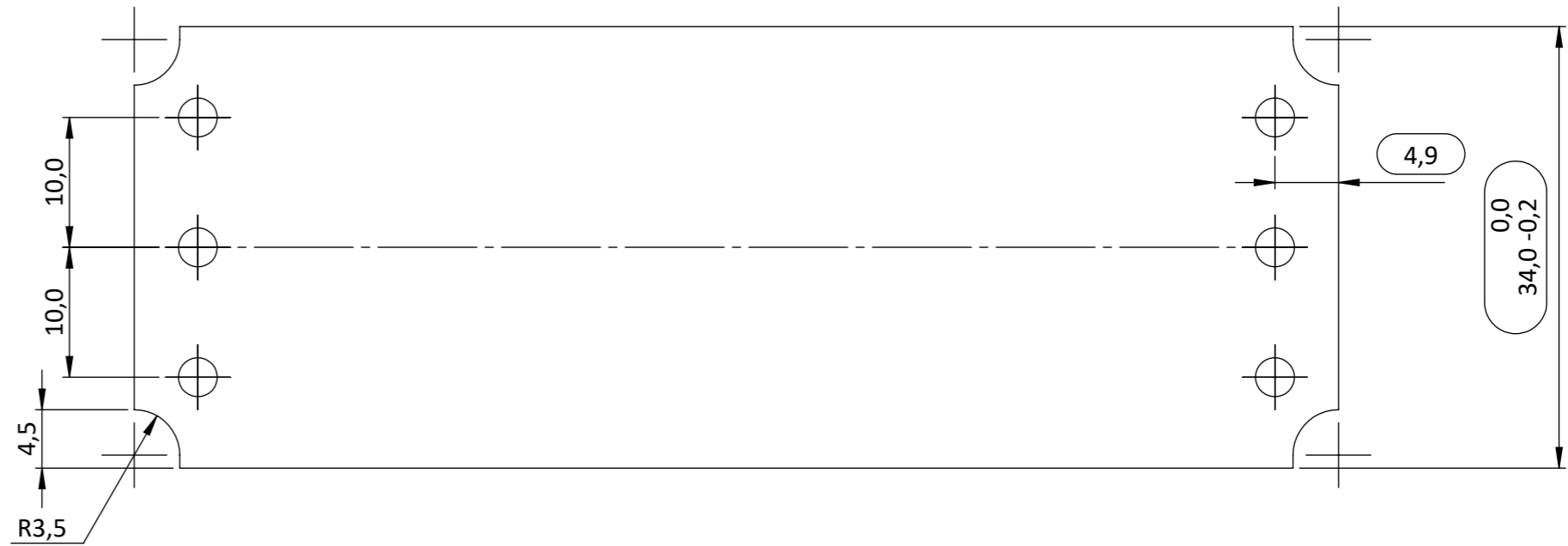


SECTION A-A



Rev.:	Date:	Name:	Description:
--	---	---	---
--	---	---	---
--	---	---	---
--	---	---	---

Part name: DRUM ZINK	Projection: 	Sheet format: A3	Tolerance unless otherwise specified DS/ISO 2768-1M Linear dimensions:														
Customer: xxx	Drawn by: IBL	Scale: 4:1															
Part no.: Z543360032	Material: Zinc	Sheet 2 of 3	<table border="1"> <tr> <td>0-3</td> <td>3-6</td> <td>6-30</td> <td>30-120</td> <td>120-400</td> <td>400-1000</td> <td>1000-2000</td> </tr> <tr> <td>±0,1</td> <td>±0,1</td> <td>±0,2</td> <td>±0,3</td> <td>±0,5</td> <td>±0,8</td> <td>±1,2</td> </tr> </table>	0-3	3-6	6-30	30-120	120-400	400-1000	1000-2000	±0,1	±0,1	±0,2	±0,3	±0,5	±0,8	±1,2
0-3	3-6	6-30	30-120	120-400	400-1000	1000-2000											
±0,1	±0,1	±0,2	±0,3	±0,5	±0,8	±1,2											
			<table border="1"> <tr> <td>Angle</td> <td>Radius</td> </tr> <tr> <td>±0,5°</td> <td>±5%</td> </tr> </table>	Angle	Radius	±0,5°	±5%										
Angle	Radius																
±0,5°	±5%																
			<p>furnipart®</p> <p>Delta 2 Phone: +45 87 64 35 00 DK-8382 Hinnerup E-mail: fp@furnipart.com</p>														
COPYRIGHT: THIS DRAWING MAY NOT BE COPIED OR REPRODUCED IN ANY WAY WITHOUT DIRECT PERMISSION FROM FURNIPART A/S																	



Rev.:	Date:	Name:	Description:
--	--	---	---
--	--	---	---
--	--	---	---
--	--	---	---

Part name: DRUM LEATHER	Projection: 	Sheet format: A3	Tolerance unless otherwise specified DS/ISO 2768-1M Linear dimensions: 0-3 ±0,1 3-6 ±0,1 6-30 ±0,2 30-120 ±0,3 120-400 ±0,5 400-1000 ±0,8 1000-2000 ±1,2
Customer: XXX	Drawn by: IBL	Scale: 2:1	
Part no.: 102490093	Material: Leather	Sheet 3 of 3	Angle: ±0,5°
Weight: 8.02		Radius: ±5%	
COPYRIGHT: THIS DRAWING MAY NOT BE COPIED OR REPRODUCED IN ANY WAY WITHOUT DIRECT PERMISSION FROM FURNIPART A/S			furnipart® Delta 2 Phone: +45 87 64 35 00 DK-8382 Hinnerup E-mail: fp@furnipart.com